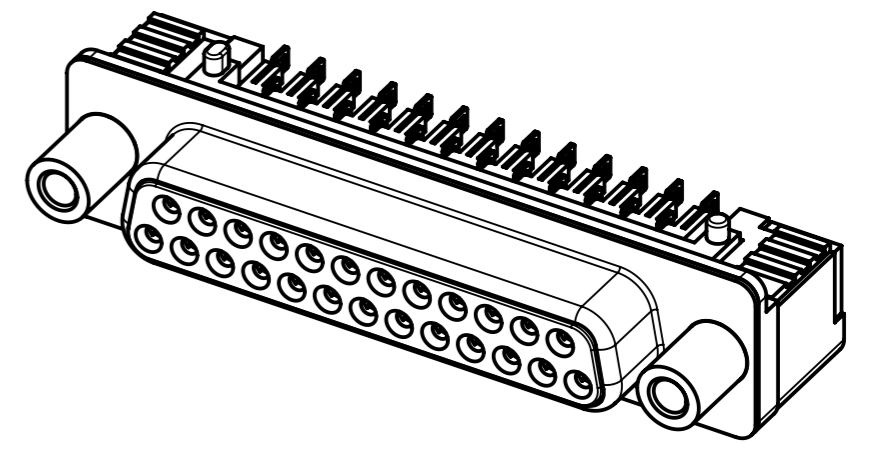
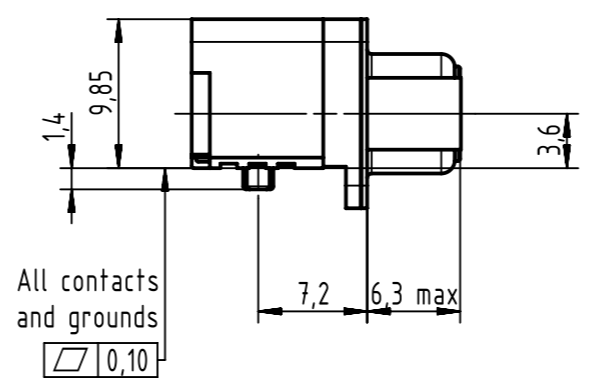
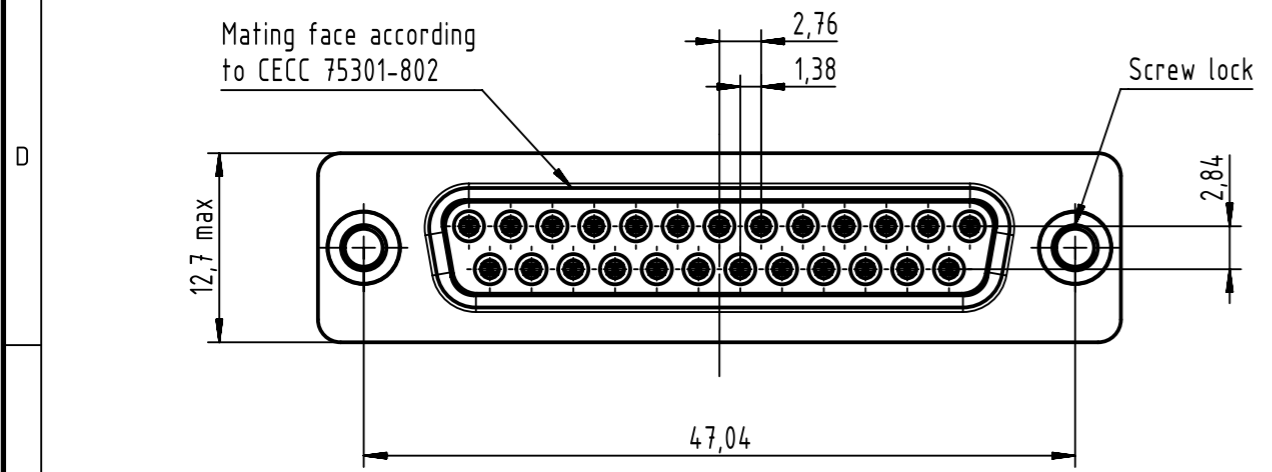
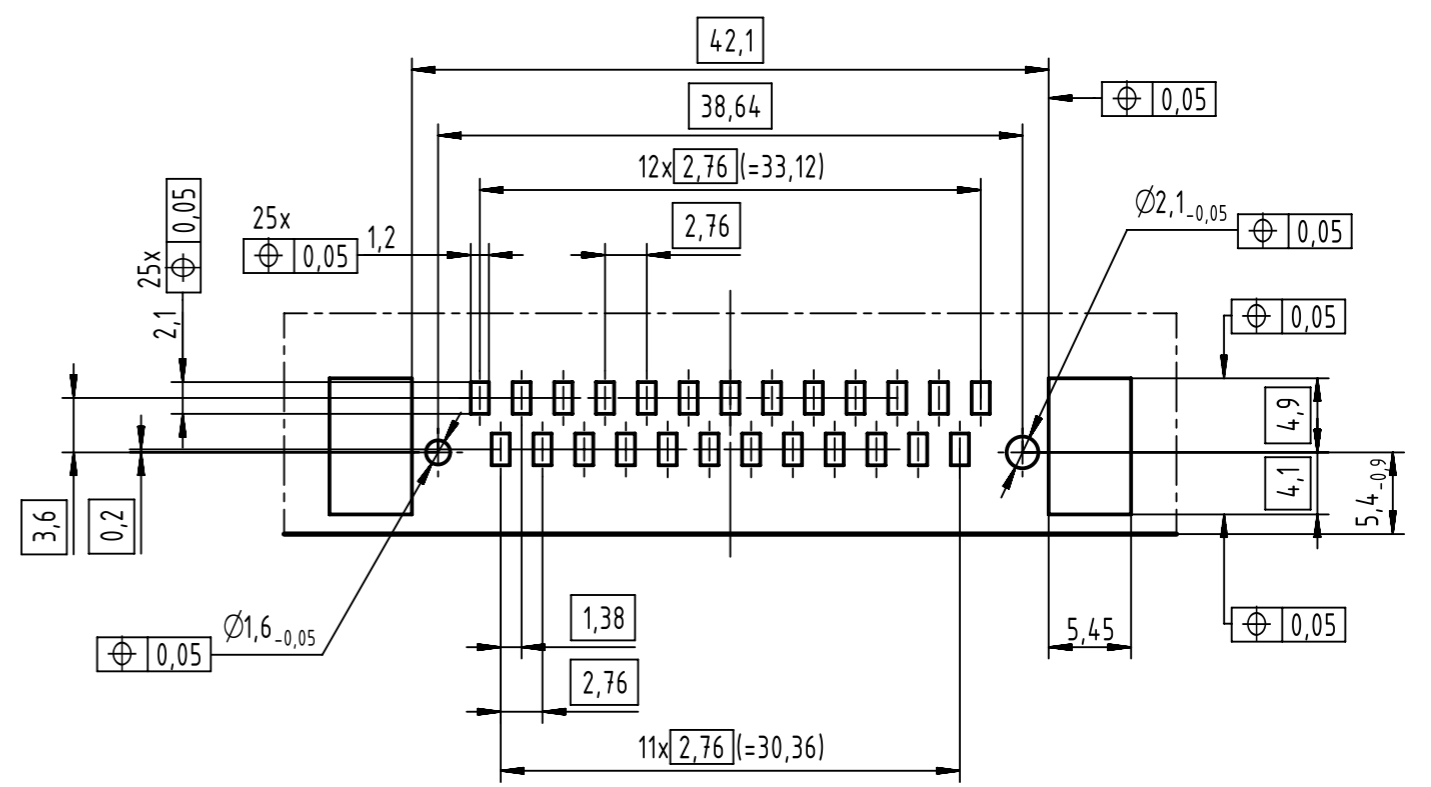
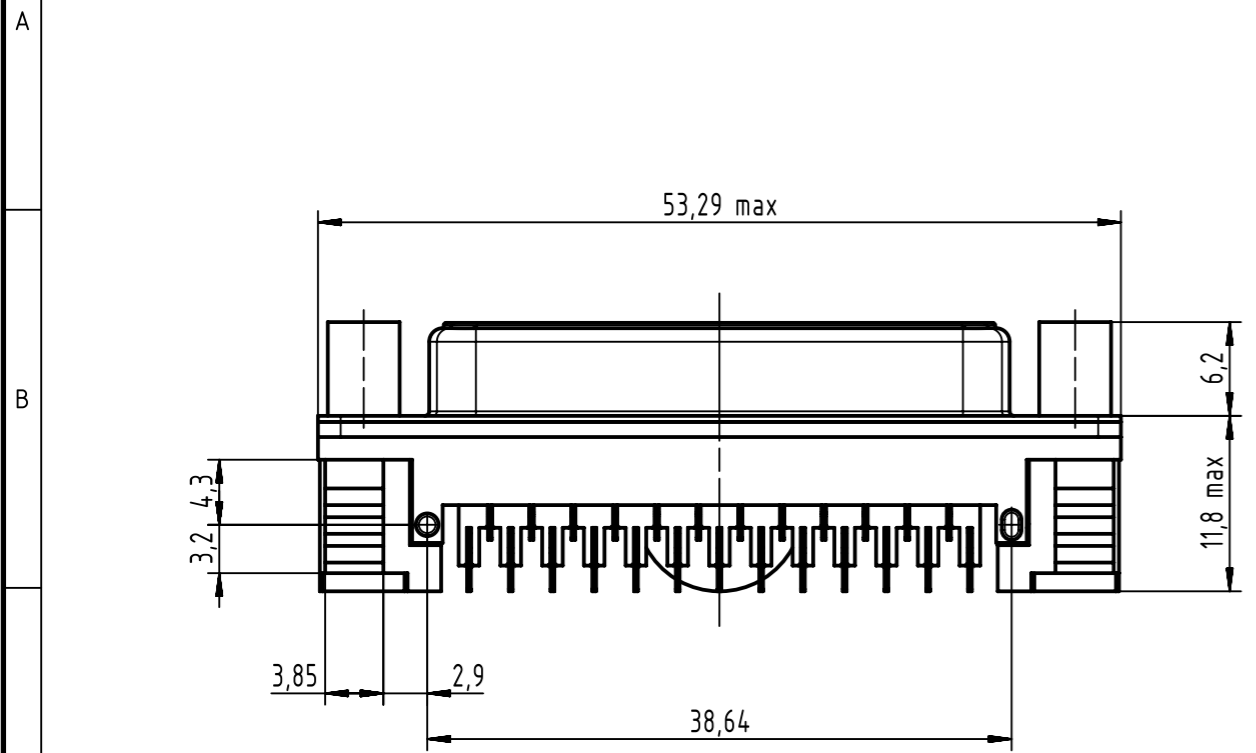


1 2 3 4 5 6 7 8

PCB layout, component side (thickness 1,6 min)



Max. Temperature: 260°C during 10 seconds.
Find further technical information on DS 09550200301.

0955 356 6620 333	2	4-40 UNC	Black insulator	Samples
0955 356 3620 741	1			Reel packaging (160 connectors)
0955 356 6620 741	2			
0955 356 7620 741	3			
Part number	PL	Screw lock	Index designation	

	All rights reserved	Created by ZENG D	Inspected by LUOK	Standardisation HOFFMANN	Date 2016-08-29	State Final Release
	Department EC PD - CN	Title D-Sub angled low-profile SMT 25-pole fem ass with screw lock		Doc-Key / ECM-Nr. 100512305/UGD/003/B 500000107668		
HARTING Electronics GmbH D-32339 Espelkamp		Type TB	Number 0955356X620	Rev. B	Page 1/1	

1 2 3 4 5 6 7 8